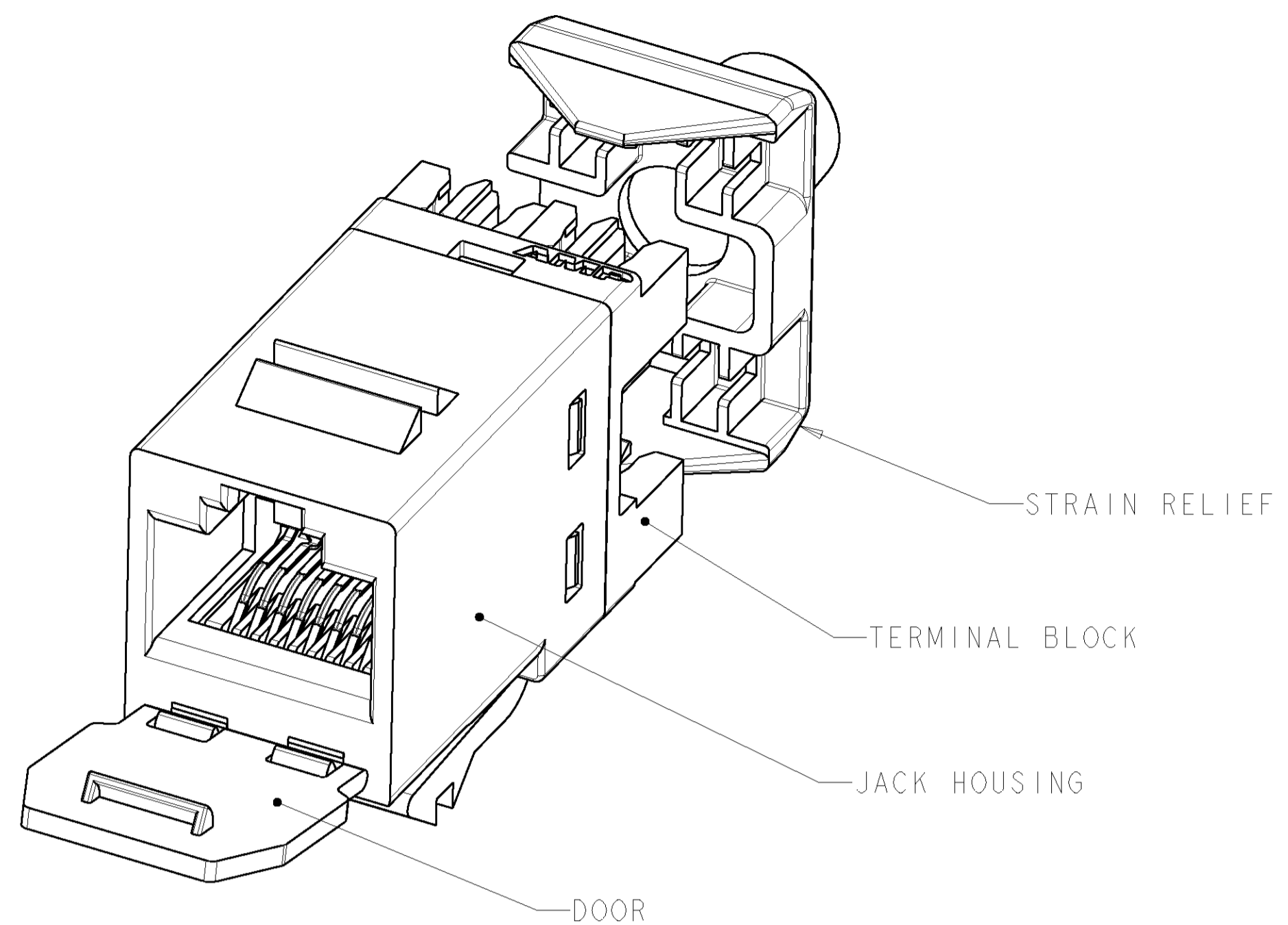
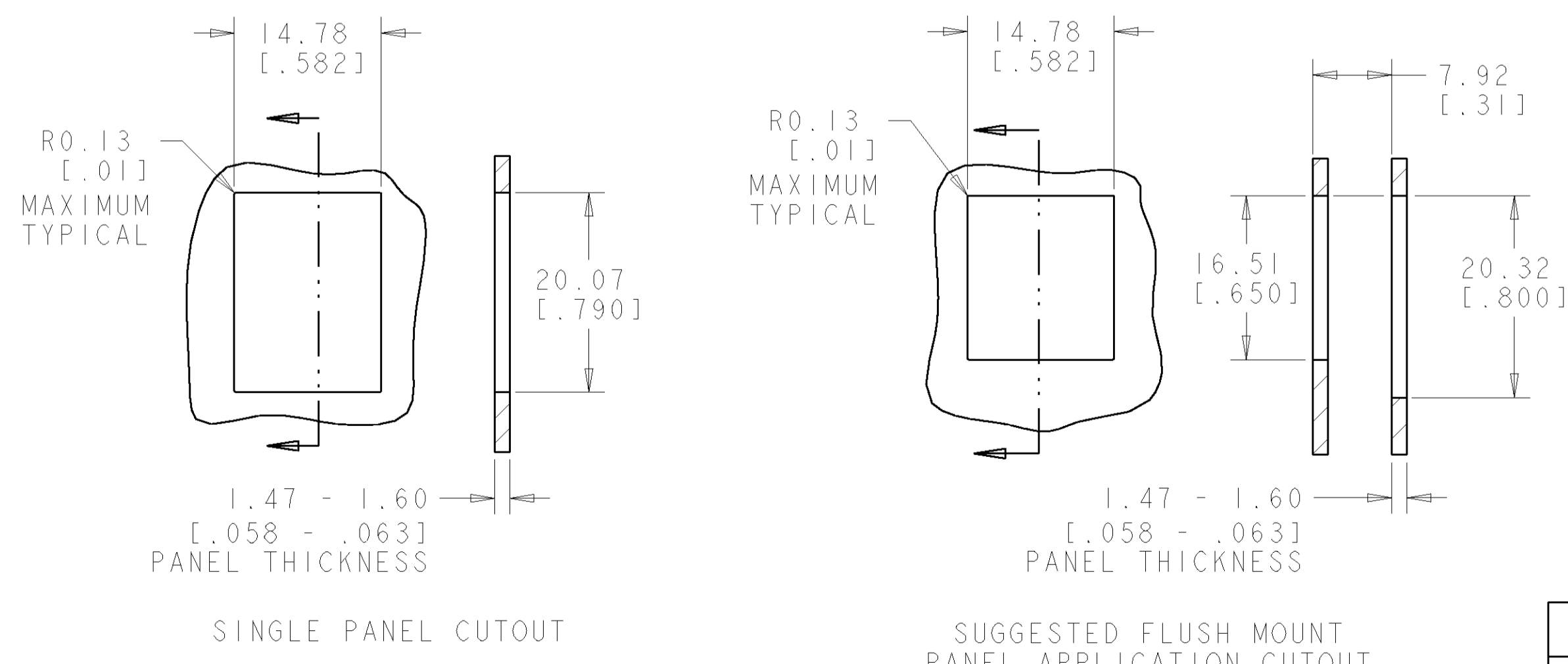
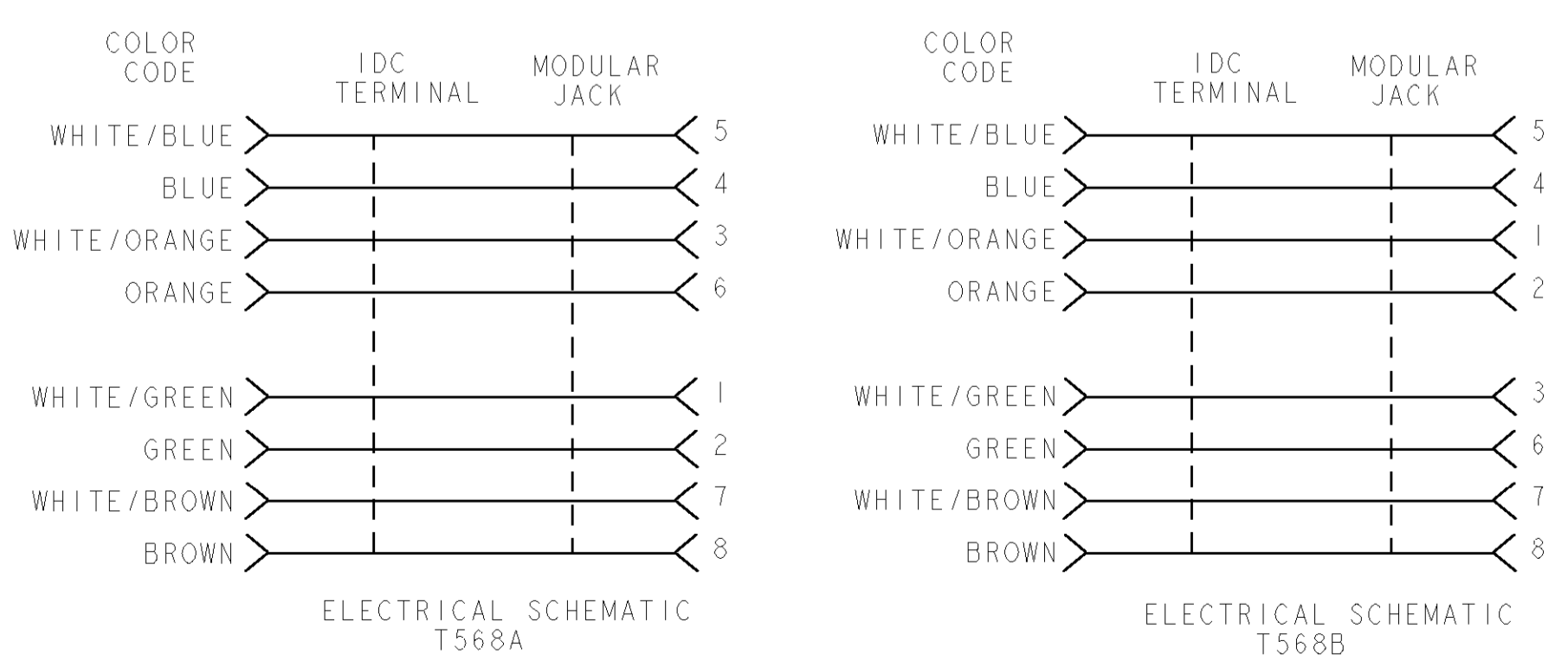
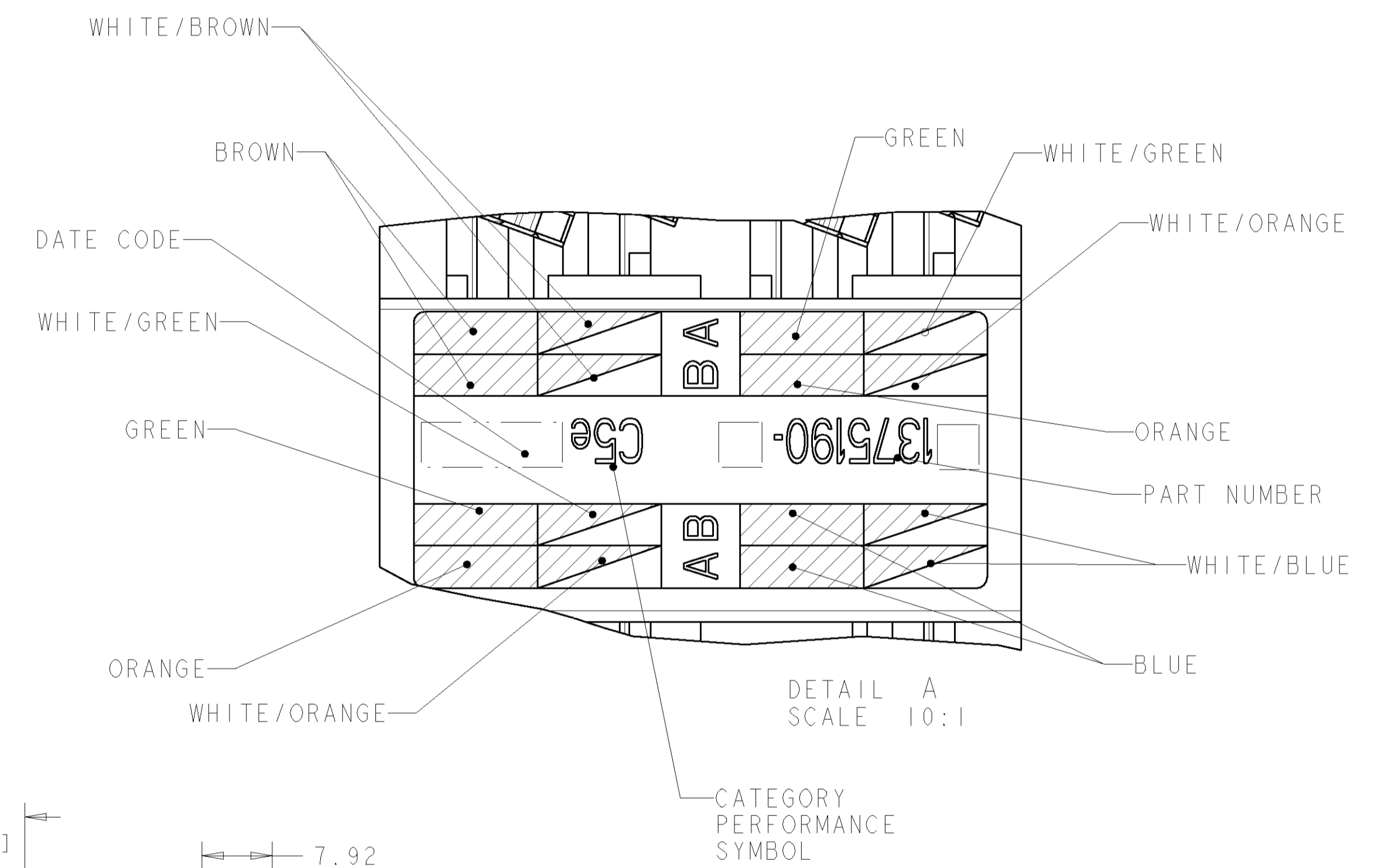
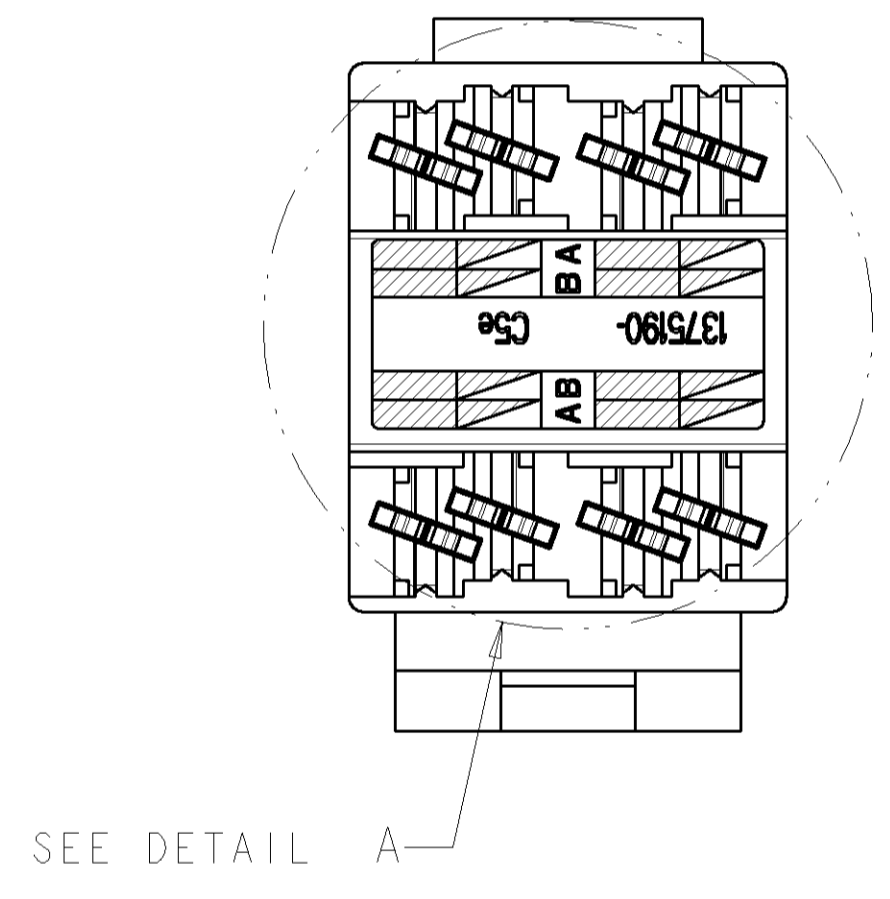
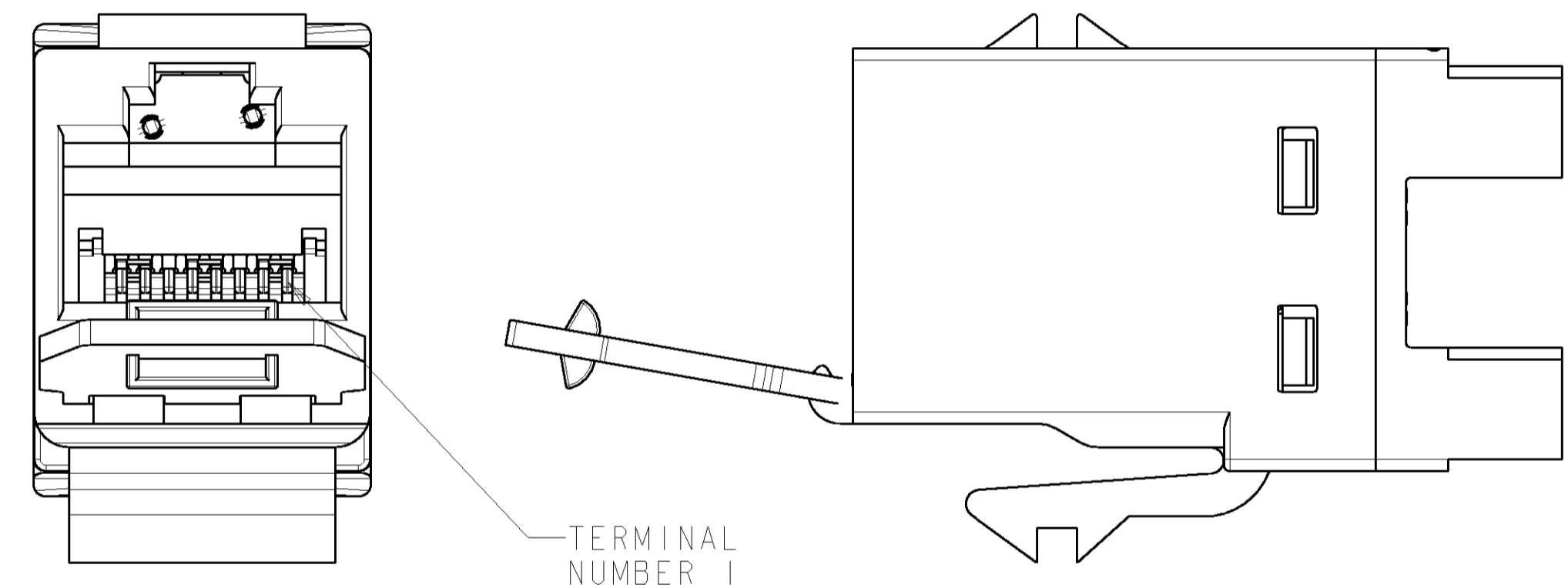


LOC	DIST	REVISIONS					
HM	00	P	LTR	DESCRIPTION	DATE	DNW	APVD
		E		REV: ECO-06-025002	27OCT2006	GG	BM
		F		REV: ECO-07-015835	13JUL2007	GG	SA



- 1 MATERIAL: JACK HOUSING - POLYPHENYLENE OXIDE, 94V-0 RATED. 110 BLOCK, STRAIN RELIEF AND DOOR - POLYCARBONATE. ARRAY TRAY - PBT POLYESTER. JACK CONTACTS ARRAY - BERYLLIUM COPPER, PLATED WITH 1.27µm [.000050] MINIMUM THICK GOLD IN LOCALIZED AREA AND 3.81µm [.000150] MINIMUM THICK MATTE TIN IN SOLDER AREA OVER 1.27µm [.000050] MINIMUM THICK NICKEL UNDERPLATE. IDC TERMINALS - PHOSPHOROUS BRONZE, PLATED WITH 3.81µm [.00015] MINIMUM THICK MATTE TIN OVER 1.27µm [.00005] MINIMUM THICK NICKEL UNDERPLATE.
2. SL 110 JACK WILL TERMINATE 22-24 AWG SOLID AND 24-26 AWG STRANDED CONDUCTORS. 1.27[.050] MAXIMUM INSULATION DIAMETER. JACK WILL ACCEPT CONDUCTORS UP TO 1.45 [.057] BUT REQUIRE THE USE OF A STRAIN RELIEF.
- 3 CAVITY CONFORMS TO FCC RULES AND REGULATIONS PART 68 SUBPART F REQUIREMENTS.
4. MOUNTING PANEL THICKNESS 1.47 - 1.60 [.058 - .063].
- 5 THESE TWO SUGGESTED CUTOUT OPENINGS ARE USED IN TANDEM WITH DUAL FRONT AND BACK CUTOUTS.
- 6 ONE MODULAR JACK ASSEMBLY AND ONE SHIELD PER POLYBAG.
- 7 USE OF BEND LIMITING STRAIN RELIEF IS OPTIONAL.
- 8 REFER TO 408-8858 FOR TERMINATION INSTRUCTIONS USING SL SERIES TOOL TERMINATION. REFER TO 408-8417 FOR TERMINATION INSTRUCTIONS USING 110 PUNCH DOWN TOOL.



PACKAGE	HOUSING COLOR	PART NUMBER
6	ELECTRIC IVORY	1-1375190-1
	VIOLET	1-1375190-0
	GREEN	1375190-9
	YELLOW	1375190-8
	RED	1375190-7
	BLUE	1375190-6
	ORANGE	1375190-5
	NEMA GRAY	1375190-4
	WHITE	1375190-3
BLACK	1375190-2	
LIGHT ALMOND	1375190-1	

DIMENSIONS: MM [Inches]		TOLERANCES UNLESS OTHERWISE SPECIFIED:		DWN: T. PITTS OSNOV01 ENR: L. SMITH APVD: C. DOOLEY		tyco Tyco Electronics Electronics Harrisburg, PA 17105-3608	
0 PLC ± 1 PLC ± 2 PLC ± 3 PLC ± 4 PLC ± ANGLES ±		± ± ± ± ±		PRODUCT SPEC 108-1990 APPLICATION SPEC 108-1990-2		NAME: ASSEMBLY, SL 110 JACK, DUSTCOVER, CATEGORY 5e	
MATERIAL:		FINISH:		WEIGHT:		SIZE: CAGE CODE DRAWING NO. RESTRICTED TO:	
CUSTOMER DRAWING		SCALE: 4:1		SHEET 1 OF 1		REV F	